

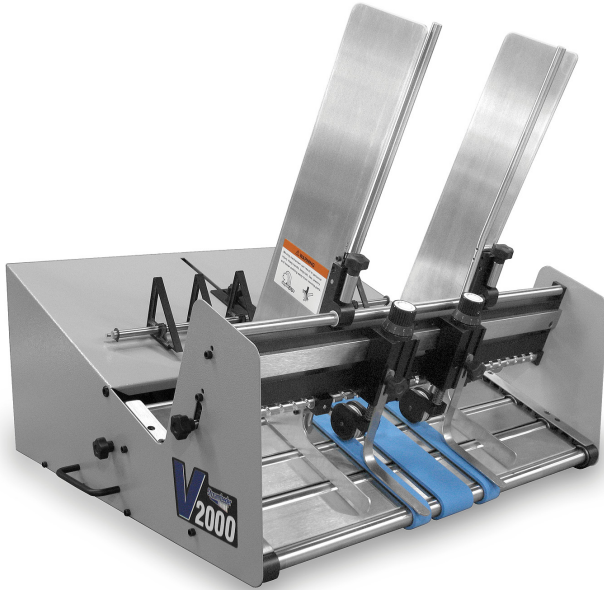
Feeder/Dispenser



**VALUE
SERIES**

Model V-2000 CE
Patent Pending.

We Have Your Solution.™



OVERVIEW

The V-2000 is the next generation of continuous feeding technology in our Value Series. The V-2000 features quick and tool-less setup, quick make-ready, and easy maintenance. It is capable of feeding a wide variety of materials at high speed with exceptional alignment qualities. CE certified.

APPLICATIONS

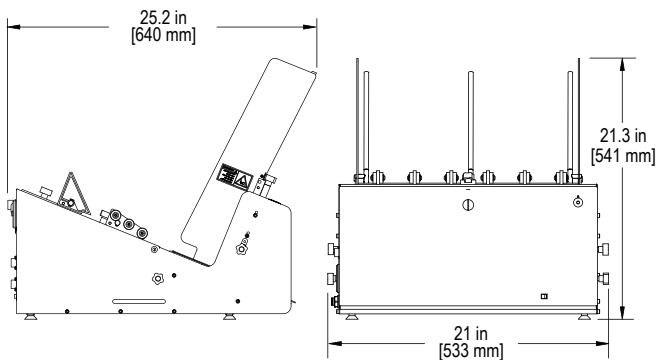
- Ink Jet Bases
- Mail Processing
- Labeling Bases
- Tabber Bases
- Folding Machines
- Reinforcing Machines

TECHNICAL DATA

Maximum Product Size: 20 W x 18 L in (508 x 457.2 mm)*
Minimum Product Size: 2 W x 3 L in (50.8 x 76.2 mm)*
Min/Max Product Thickness:003-1.0 in (.0762-25.4 mm)
Belt Speed: 7800 ipm (198,120 mm/min)
Electrical Requirements: 115/230vac, 50/60Hz, 3A
Weight: 90 lbs. (40.82kg)
Warranty: Two-year limited

*Optional product size available

DIMENSIONS



FEATURES

ADVANTAGES

BENEFITS

Movable Feed Belts	Position belts for optimum product feeding.	Consistently feed a wide variety of products straight.
Movable Product Separators	Separate product either on or off the belts.	Separate products that vary in thickness.
Quick Release Side Guides	Allows side guides to easily pass over belts.	Faster setup increases productivity.
Single Knob Side Guide Adjustment	Individual side guide position adjustment.	Reduces operator setup time.
Quick Change Carriage	Faster belt replacement.	Reduces downtime.
Quick Access Service Panel	Easy access to controls and electronics.	Simple, efficient maintenance.
Universal Electronic Interface Kit	Interface the start/stop function with most systems.	Ability to integrate with most mailing bases.

**Thiele
Technologies**

103 Osborne Road · Minneapolis, MN 55432-3131 · USA

t 763.502.0000 · f 763.502.0100 · www.streamfeeder.com · E-mail: sales@streamfeeder.com