

Feeder/Dispenser



We Have Your Solution.™

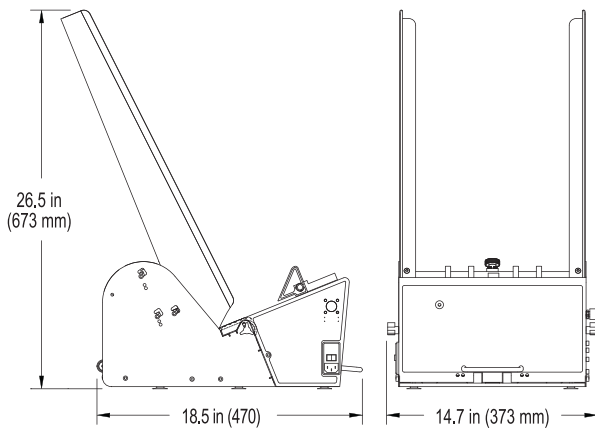
VALUE SERIES Model V-710BC



APPLICATIONS

- Collating
- Batch Counting
- Accumulating
- Kit Fulfillment
- Package Inserting
- Automatic Wrapping

DIMENSIONS



OVERVIEW

The V-710BC provides dependable one-shot feeding and batch count feeding of a wide variety of products. Ideal for collating and mail inserting applications that operate at speeds up to 100 cycles per minute. Simple tool-less adjustments for quick setups and changeovers.

FEATURES

ADVANTAGES

BENEFITS

| | | |
|----------------------------------|---|--|
| Minimum Adjustment Points | 4 adjustment points for product changeover. Single knob adjustment. | Faster make-ready. Get more jobs out the door. Skilled operators not needed for changeovers. |
| Thick Product Capability | Feed products that are .003" -.75" thick. | Run more jobs on the same machine. |
| Variable Angle Feed Belts | Enhanced feeder performance. | Allows you to bid a wider spectrum of jobs. |
| Light Weight Construction | Portable. | Easy to move and setup. |

TECHNICAL DATA

| | |
|-----------------------------------|---------------------------------|
| Maximum Product Size: | 12 W x 12 L in (305 x 305 mm)* |
| Minimum Product Size: | 3.75 W x 3.75 L in (95 x 95 mm) |
| Optional: | 2.5 W x 2.5 L in (63 x 63 mm) |
| Min/Max Product Thickness: | .003 - .75 in (.076-19 mm) |
| Belt Speed: | 4000 in/min (101,600 mm/min) |
| Batch Size: | 1-50 pieces |
| Electrical Requirements: | 115/230vac, 50/60Hz, 3A |
| Weight: | 43 lbs. (19.5kg) |
| Warranty: | One-year limited |

*Optional product size available

Thiele Technologies

103 Osborne Road • Minneapolis, MN 55432-3131 • USA

t 763.502.0000 • f 763.502.0100 • www.streamfeeder.com • E-mail: sales@streamfeeder.com